

Spee Continuing Education Presents

**MASTER INTERPROXIMAL
REDUCTION WITH LOW-SPEED,
HIGH-TORQUE SLENDERIZATION**

Course Fee: \$179.00

Includes:

- > 7 CEUs
- > Course notes
- > Hands-on instruction
- > 5 patient pack of Spee's clear disposable disk guards
- > Principles of appliance therapy for adults and children—reference edition
- > Continental breakfast
- > Afternoon snack

To register – Call 1.866.369.1978 or go to www.speecorp.com and click on Education.

Continuing Education is provided by the SMILE Foundation®

Spee Corp™ and Space Maintainers® International Family of Laboratories does not make any claim to the registered name Invisalign®

The SMILE Foundation is an ADA CERP Recognized provider and is AGD Accredited for Mastership/Fellowship.

This course is made possible by SPEE™ Corp and Space Maintainers International Family of Laboratories. No third-party manufacturer has any input into the development of course content. All content is derived from the opinions of the presenter and associated references which are provided at the event.

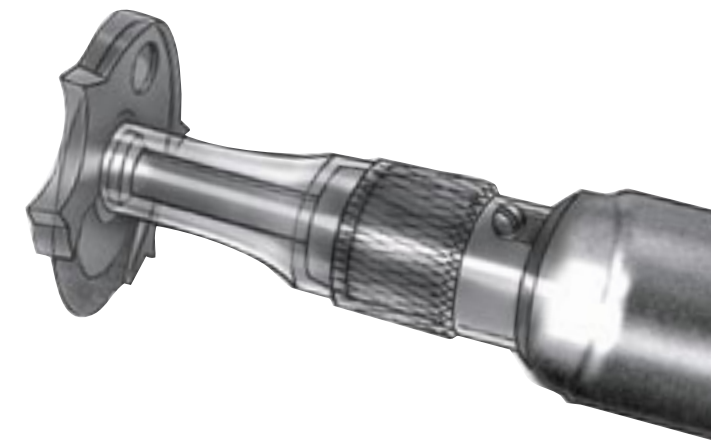
Contact Dan for registration and any questions. If you are not completely satisfied with this program, you can receive a complete refund. Your request for refund must be submitted in writing no more than 30 days after the program.



Spee CE Presents

**MASTER INTERPROXIMAL
REDUCTION WITH LOW-SPEED,
HIGH-TORQUE SLENDERIZATION**

Slower is Safer!



Treating patients with Invisalign®? Slenderization is ideal for patients of all ages

**Courses
Sell Out
Quickly!**

**Reserve
Your Spot
Today!**



Clear Disposable
Disk Guards



The Spee
Handpiece



High Torque
Diamond Disks



The Spee
Motor

Learn the fundamentals of the Slenderization System in a hands-on, educational experience taught by orthodontist, educator and author Dr. Michael Florman.

The Spee Slenderization seminar is built around these educational objectives:

- > Learn Slenderization's history and anthropological origins
- > Learn the advantages and the disadvantages of the different Slenderization techniques and the different tools associated
- > A step-by-step guide in slenderizing to maximize results
- > The basics in orthodontic relapse and the importance of retention
- > Learn the impact of Slenderization on the dental anatomy and the associated Periodontium

Michael Florman, DDS



Dr. Michael Florman received his dental degree from Ohio State University and completed his post-graduate training in Orthodontics at New York University. Dr. Florman is a Diplomat of the American Board of Orthodontics, and has been practicing dentistry since 1991. He is highly

respected as both an orthodontist and educator, having authored over forty scientific publications in the field of dentistry and medicine.

Locations

June 1, 2007
Monterey, CA
Hyatt Regency Monterey
(831) 372-1234

June 8, 2007
Palm Springs, CA
The Westin Mission Hills Resort
(760) 328-5955

July 13, 2007
Millbrae, CA
Westin San Francisco Airport
(650) 692-3500

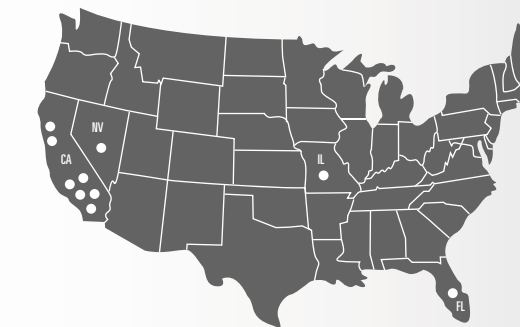
July 27, 2007
Las Vegas, NV
Red Rock Casaino Resort and Spa
(702) 797-7777

August 3, 2007
Costa Mesa, CA
The Westin South Coast Plaza
(714) 540-2500

August 17, 2007
San Diego, CA
Sheraton San Diego Hotel and Marina
(619) 291-2900

September 14, 2007
Chicago, IL
TDB

November 30, 2007
Miami, FL
TDB



Make more money! This invaluable patient service is also a viable income source

For specific course date or to order any of our products call 1.866.369.1978 or visit www.speecorp.com